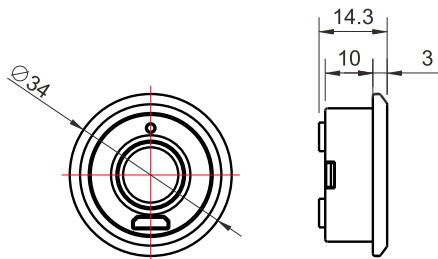


INTELLIGENT FURNITURE SMART FINGERPRINT LOCK

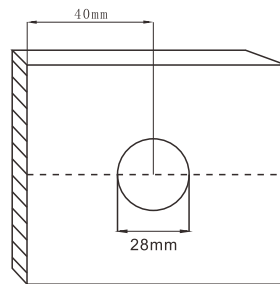
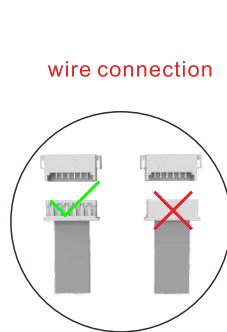


USER MANUAL

INSTALLATION INSTRUCTION

Step1: To install the front panel and lock case

- 1) Paste the drawing on the door at proper height, the distance is approx. 40MM between centre hole and opening wall, then drill the hole accordingly. See picture 1

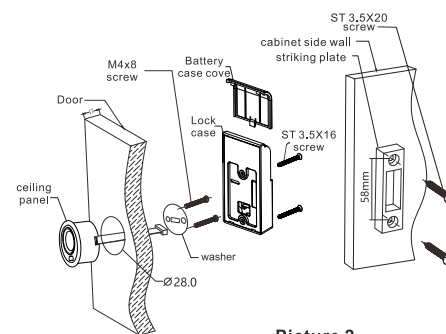


Picture 1

- 1) Insert connecting wire (See picture 2) into the front panel, then wire goes through the centre hole; Fix up the panel by screw M4X8 and washer
- 2) Insert connection wire (See Picture 2) into lock case, then fix up by screw ST3.5X16MM. Make sure the distance is 40MM between the centre of back panel and opening wall

Step 2 Install the striking plate

Fix up the striking plate by screw ST3.5X20. Make sure it can catch the latch of back panel and lock the door. The distance is approx. 20.5MM

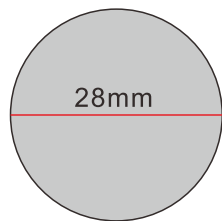


Picture 2

COMPONENT

<p>Indicator</p>	<p>Lock Case</p>	<p>Connection wire</p>
<p>Front Panel</p>	<p>Reset Button</p>	
<p>Washer</p>	<p>Striking Plate</p>	<p>Screws</p>

Installation Ceiling Panel



Cut off the page and paste it on the door, then drill the hole according to the drawing

USER INSTRUCTION

Feature

1. Access control: fingerprint
2. Advanced Biometric technology for better response and sensitivity
3. Add up to 40 fingerprint
4. Automatic motorized mechanism
5. Light indicator with visual signal
6. Micro-USB port for outer-emergent power supply
7. Widely used in drawer, cabinet, wardrobe etc.

Step 1. Add Fingerprint

- Press reset button for 1 second, blue light on, then release
- Put a finger on the reader, the green light flashes once, then remove, same operation for five (5) times
- green light will be on for 2 seconds, fingerprint added
- If any mistakes, the light will turn into red, try again until the green light on for 2 seconds

Note:

- ☆ Same operation to add more fingerprint. It can register 40 fingerprint, more than 40 ones, the system will log off. If new fingerprint needed, clear up all the fingerprint first.
- ☆ Any finger can open the lock before registered one, ensure register the fingerprint before using.

- ☆ Ensure the lock works well, it's better to add no less than 3 different fingerprint to register. When registering, put on the finger as the following maps



Step 2. Delete Fingerprint

- Press reset button for 1 sec, blue light on, not remove (more 3 seconds) until the light turns into red
- Release, all the fingerprint deleted

Note:

Ensure the belongs safety, clear up all the fingerprint before using.

Step 3. Lock and unlock

- Push the door closed and door locks automatically
- Put valid finger on the reader
- Indicator in green, two (2) beeps, door unlocked, then pull door open

Note:

1. The latch will be out in 4 seconds after opened, so just push the door closed, the door locks automatically
2. The light turns into red if invalid fingerprint or fingerprint unreadable, try again.

Low Battery Warning

- The light flashes in green once and then in red thrice after opened indicates low battery, please replace the battery immediately
- Micro USB port for outer-emergent power supply if low battery