

The Aurus logo is positioned in the top right corner. It features the word "AURUS" in a bold, italicized, sans-serif font. The letters "A", "U", "R", and "S" are blue, while the letter "U" is orange. The background of the page is composed of several geometric shapes: a white triangle at the top left, a grey triangle at the bottom left, a blue triangle at the top right, and an orange triangle at the bottom left.

DIGITAL LOCKING SOLUTIONS

India's **No1** Brand for
Digital Furniture Locks.

www.auruslocks.com

ABOUT AURUS

Aurus is a renowned brand brought to you by Acetech Technologies Pvt Ltd that specializes in providing innovative Digital Locking Solutions. Founded in 2007, the company has established itself as a leading brand in the industry, catering to customers' needs across various domains.

With a team of highly skilled and experienced professionals, Aurus strives to deliver top-notch products and services that are reliable, secure, and user-friendly. The company has its headquarters in Mumbai, India, and has a strong presence across India with its extensive network of distributors and dealers. We have started exporting these locks since the year 2019.

VISION

At Aurus, we envision becoming the most trusted brand in the Digital Furniture Locking industry by offering cutting-edge solutions that ensure maximum security and convenience. Our aim is to continuously innovate and improve our products to meet the ever-evolving needs of our customers.

MISSION

Our mission at Aurus is to provide our customers with world-class Digital Locking Solutions that are easy to use, reliable, and secure. We strive to create a positive impact on our customers' lives by ensuring their valuables are protected, and their privacy is maintained.

The Aurus logo is displayed in a bold, italicized, sans-serif font. The letters 'A', 'U', 'R', and 'S' are blue, while the letter 'U' is orange. The logo is positioned in the bottom left corner of the page, which features a background of overlapping grey and orange geometric shapes.

TABLE OF CONTENTS

Fingerprint Cabinet and Drawer locks	1
Fingerprint locks for Wardrobes	14
PIN RFID & Bluetooth Locks	18
Access Control for Main Doors	29
Electric locks & accessories	34

Fingerprint Cabinet and Drawer Locks



| F040



| F022



| F050



| F053



| F112



| F118



F040

For drawer, cabinet,
(wooden or steel)

Material: ABS

Surface treatment: Moulding, Color : Black, Silver, Gold, White



Fingerprint



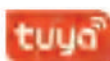
High
sensitivity



Wide
application



>10000
HOUR
Low power
design



Customized
Bluetooth



Black



Gold



Silver



White

FITTINGS



LOCK BODY: BF20
 Material: ABS
 Size: 86X60X22MM
 Power Supply: 3*AAA (alkaline battery)



STRIKING PLATE
 Material: ABS
 Size: 73X24.5X12.1MM



E-KEY
 Material: ABS
 Size: 33X15X7MM

LOCK BODY



BF05
 (4*AA alkaline battery)



BF17
 (3*AAA alkaline battery)



BF18
 (4*AA alkaline battery)



BF19
 (3*AAA alkaline battery)



BF16
 (Built-in lithium battery)

TECHNICAL PARAMETER

Model	F040
Color	Black, white, gold, silver
Fingerprint Module	Semiconductors
Material	ABS
Battery	3*AAA alkaline battery
Supply voltage	4.5V
Static Current	≤20uA
Dynamic Current	≤220mA
Low battery	3.6V±0.2V
Working Temperature	0°C-55°C
Working Humidity	20%-80%RH

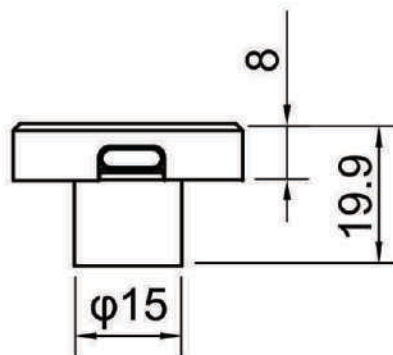
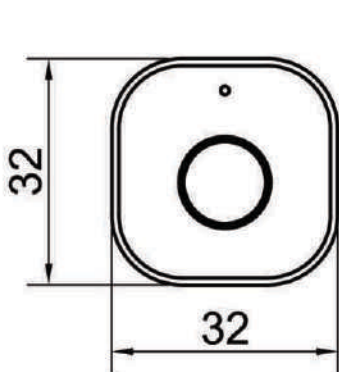
FEATURES

- Can set 20 fingerprints
- Support E-KEY to restore factory settings
- Low power consumption and long battery life
- Low battery warning
- Support external emergency power supply
- Three-color status indicator
- Round hole embedded installation, simple and easy
- Can replace the traditional mechanical cabinets lock
- Free of opening holes

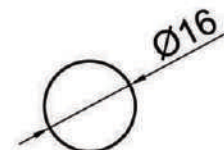


Specific product details
 View QR Code

PRODUCT SIZE



Installation drawing





F022

For drawer and cabinet of wooden or steel

Material: Zinc-alloy
Finish: Painting, Color: Black



FITTINGS



LOCK CASE:BF20
Material:ABS
Size:86X60X22mm
Power Supply:3XAAA (alkaline battery)



STPIKING PLATE
Material:ABS
Size:73X24.5X12.1MM



USBKEY
Material:ABS
Size:47X16X6.5MM

CUSTOMIZED BACK LOCK

Read Page 55-57 for details



BF17
(3XAAA alkaline battery)



BF05
(3XAA alkaline battery)



BF12
(3XAAA alkaline battery)



BF18
(4XAA alkaline battery)



BF19
(3XAAA alkaline battery)

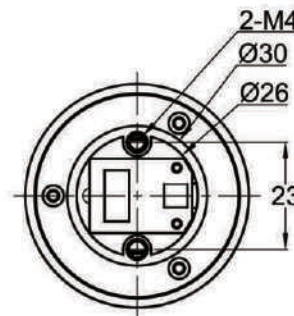
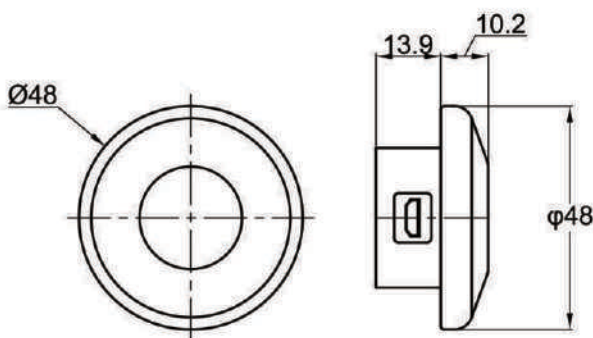
TECHNICAL PARAMETER

Sensor	Semiconductor fingerprint sensor
	10~100 fingerprints(Optional)
	Responsiveness:<0.005s
	FAR:<1/1000000
	FRR:<1%
Static Current	≤20μA
Dynamic Current	≤220mA
Power Supply	4.5V (3XAAA alkaline battery)
Low battery	3.6V ± 0.2V
Working Temperature	0℃~55℃
Working Humidity	20%~80%RH

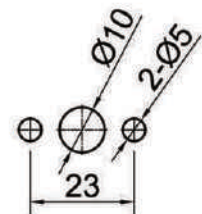
FEATURES

- Database:10~100 fingerprints(Optional)
- Unlocking: fingerprint, Ukey for backup
- Working mode:Private Mode,Limit Public Mode
- Ukey for management in the business application
- Visual signal with high bright circular indicator
- Energy-saving technology, lifetime of new battery up to 6000 times opening
- Low battery warning, outer power supply by USB port when low battery
- Widely used in drawer,cabinet and locker at home, in the office or in the school etc.

PRODUCT SIZE



Installation drawing





F050

For drawer, cabinet,
(wooden or steel)

Material: Zinc-alloy

Surface treatment: Plating, Color: Silver, Black



Fingerprint



High
sensitivity



Wide
application



>10000
HOUR
Low power
design



Customized
Bluetooth



ACCESSORY



LOCK CASE
Material:ABS
Size:
60×86×23.5mm



STRIKING PLATE
Material:ABS
Size:
73.3X24.2X12MM



USBKEY
Material:ABS
Size:
47X16X6.5MM



CONNECTING WIRE
WASHER



SCREW

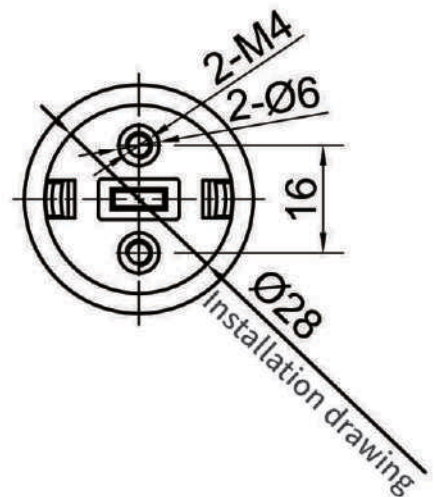
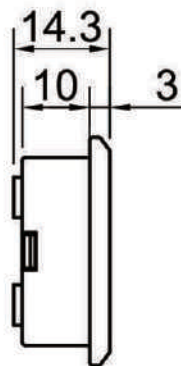
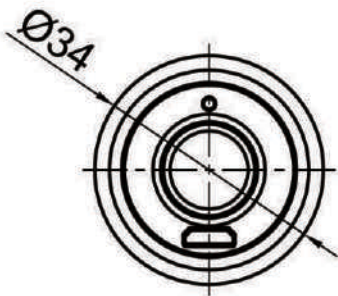
FEATURES

- Unlock: fingerprint or usbkey
- Lock mode: automatic
- Fingerprint storage:20
- Low-voltage warning:support
- Emergency power supply:by usb port
- Indicator light:3-color light
- Design:embedded installation
- Use for:drawer/cabinet

TECHNICAL PARAMETER

- Model:F050
- Color: Black
- Material:Zinc alloy
- Power supply:dry battery
- Working voltage:4.5v
- Standby current:≤20ua
- Working current:≤220ma
- Low-voltage:3.6v±0.2v
- Operating temperature:0°C-55°C
- Operating humidity:20%-80%rh

PRODUCT SIZE





F053S

For drawer and cabinet of
wooden or steel

Material: Aluminum
Finish: CNC, Color: Black



FITTINGS



LOCK CASE:BF20
Material:ABS
Size:86Xx60X22mm
Power Supply:3XAAA (alkaline battery)



STPIKING PLATE
Material:ABS
Size:73X24.5X12.1MM



USBKEY
Material:ABS
Size:25.6X10.5X6.1MM

CUSTOMIZED BACK LOCK

Read Page 55-57 for details



BF16
(Built-in lithium battery)



BF17
(3XAAA alkaline battery)



BF05
(3XAA alkaline battery)



BF12
(3XAAA alkaline battery)



BF19
(3XAAA alkaline battery)



BF18
(4XAA alkaline battery)

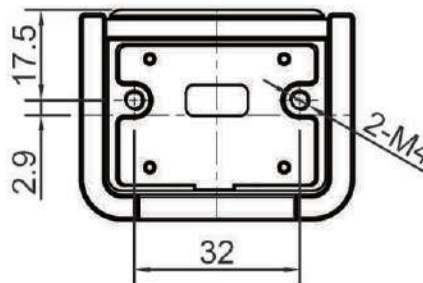
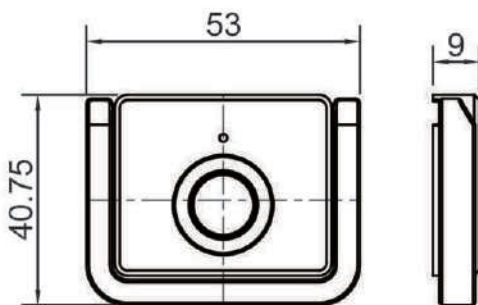
TECHNICAL PARAMETER

Sensor	Semiconductor fingerprint sensor
	10 fingerprints
	Responsiveness:<0.005s
	FAR:<1/1000000
	FRR:<1%
Static Current	≤30μA
Dynamic Current	≤220mA
Power Supply	4.5V (3XAAA alkaline battery)
Low battery	3.6V ± 0.2V
Working Temperature	0°C ~ 55°C
Working Humidity	20% ~ 80%RH

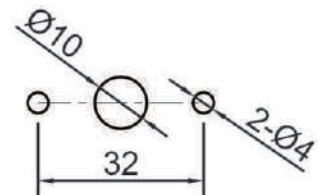
FEATURES

- Database:10 fingerprints
- Unlocking: fingerprint, Ukey for backup
- Working mode:Private Mode
- Ukey for management in the business application
- Visual signal with LED indicator
- Energy-saving technology, lifetime of new battery up to 6000 times opening
- Low battery warning, outer power supply by USB port when low battery
- Widely used in drawer,cabinet and locker at home, in the office or in the school etc.

PRODUCT SIZE



Installation drawing





F112S

For drawer and cabinet of wooden

Material: Zinc-alloy
Finish: Painting, Color: Black

- 
Fingerprint
- 
High sensitivity
- 
Wide range of use
- 
>10000 HOUR
Low power design
- 
Customized Tuya



Black



Grey



Silver



Gold



Satin Nickel



Gun Black

FITTINGS



LOCK CASE:BF20
Material:ABS
Size:86Xx60X22mm
Power Supply:3XAAA (alkaline battery)



STPIKING PLATE
Material:ABS
Size:73X24.5X12.1MM



USBKEY
Material:ABS
Size:25.6X10.5X6.1MM

CUSTOMIZED BACK LOCK

Read Page 55-57 for details



BF16
(Built-in lithium battery)



BF17
(3XAAA alkaline battery)



BF05
(3XAA alkaline battery)



BF12
(3XAAA alkaline battery)



BF19
(3XAAA alkaline battery)



BF18
(4XAA alkaline battery)

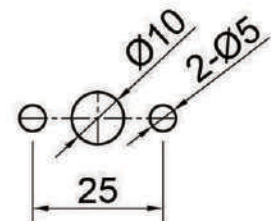
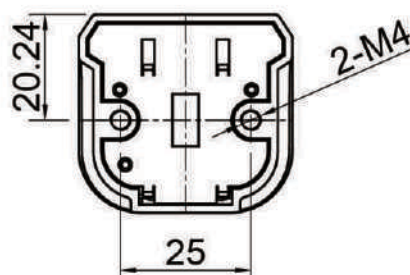
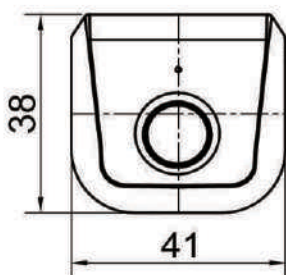
TECHNICAL PARAMETER

Sensor	Semiconductor fingerprint sensor
	10 fingerprints
	Responsiveness:<0.005s
	FAR:<1/1000000
	FRR:<1%
Static Current	≤30μA
Dynamic Current	≤220mA
Power Supply	4.5V (3XAAA alkaline battery)
Low battery	3.6V ± 0.2V
Working Temperature	0 C ~ 55 C
Working Humidity	20% ~ 80%RH

FEATURES

- Database:10 fingerprints
- Unlocking: fingerprint, Ukey for backup
- Working mode:Private Mode
- Ukey for management in the business application
- Visual signal with LED indicator
- Energy-saving technology, lifetime of new battery up to 6000 times opening
- Low battery warning, outer power supply by USB port when low battery
- Widely used in drawer,cabinet and locker at home, in the office or in the school etc.

PRODUCT SIZE





F118

For drawer, cabinet,
(wooden or steel)

Material: Zinc-alloy

Surface treatment: Painting, Color: Black/Gold



FITTINGS



LOCK BODY: BF20
 Material: ABS
 Size: 86X60X22MM
 Power Supply: 3*AAA (alkaline battery)



STPIKING PLATE
 Material: ABS
 Size: 73X24.5X12.1MM



E-KEY
 Material: ABS
 Size: 47X16X6.5MM

LOCK BODY



BF05
 (4*AA alkaline battery)



BF17
 (3*AAA alkaline battery)



BF16
 (Built-in lithium battery)



BF18
 (4*AA alkaline battery)



BF19
 (3*AAA alkaline battery)

TECHNICAL PARAMETER

Model	F118
Color	Black, grey, gold, silver
Fingerprint Module	Semiconductors
Material	Zinc-alloy
Battery	3*AAA alkaline battery
Supply voltage	4.5V
Static Current	≤20uA
Dynamic Current	≤220mA
Low battery	3.6V±0.2V
Working Temperature	0°C-55°C
Working Humidity	20%-80%RH

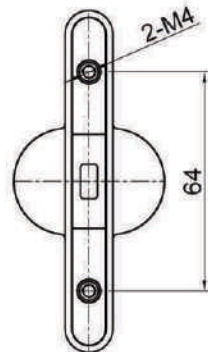
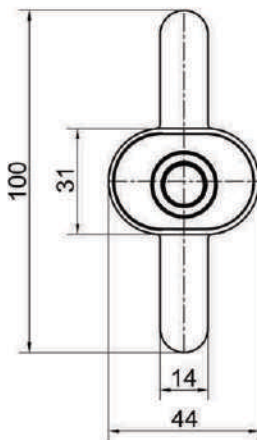
FEATURES

- Can set 20 fingerprints
- Locking method: fingerprint | E-KEY
- Locking method: automatic locking
- Low power consumption and long life
- Low battery warning
- Support external power supply emergency power supply
- Zinc alloy panel, both beautiful and practical
- Three-color status indicator

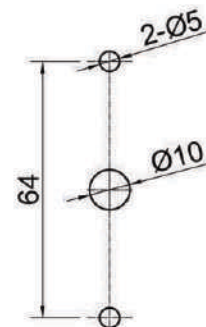


Specific product details
 View QR Code

PRODUCT SIZE



Installation drawing



Fingerprint Locks for Wardrobes



FPC42



FP100



Touchkey
R7SS



FPC-42

HEAVY DUTY FINGERPRINT
WARDROBE LOCK

USE CASE

Swing Wardrobe Doors

Large Cabinet Doors in Offices

Double Swing Doors



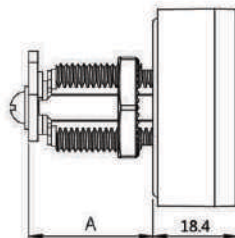
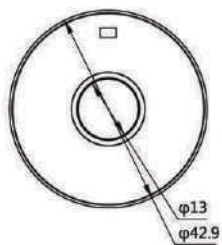
TECHNICAL SPECIFICATION

Fingerprint device	Semiconductor fingerprint reader	Management fingerprint	2
Working temperature	-20~+55°C	User fingerprint	8
Working humidity	10% ~ 85%	Static current	20uA
Storage temperature	-40 ~ +55°C	Dynamic current	30mA
Power supply	Cr2450	Batteries life time	1 year

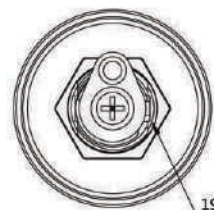
FEATURES

- High performance fingerprint sensor
- Heavy Duty sturdy Zinc alloy Lock
- Manual turn to lock/unclock saves battery
- Long Cam for firm locking
- CR 2450 external battery.
- Approx 3000 operations with single battery
- Low battery warning
- Easy installation by any carpenter.

DIMENSIONS



A=20/30mm



Fixing Hole Size



Our unique wardrobe locking solutions are hard wired and hassle free. Simply swipe you finger, open and shut the door. It will auto-lock . Suitable for both swing and sliding doors the lock has a holding force of 350lbs. If power fails the door will remain locked or open depending on your configuration. For security reasons we recommend the setting where it remains locked. A small UPS can ensure uninterrupted use.



TOUCHKEY READER

WARDROBE LOCK **EL10**

FP 100

The Touchkey fingerprint reader can control 2 wardrobe locks independently or simultaneously. Adding an expansion module enable you to control 2 locks or 4 locks simultaneously. The sleek flushmount fingerprint reader comes in 2 finishes. Black and SS.

The FP 100 fingerprint reader can control 2 wardrobe locks independently or simultaneously. Adding an expansion module enables you to control 2 locks or 4 locks simultaneously. The sleek fingerprint reader flush mounts in a standard 2 module box comes in 3 colours. Black, White and Silver

PIN RFID and Bluetooth Locks



PN14



PN16



RF202



PN-19RF



BLE51



PN-14H

CABINET & DRAWER LOCK

PIN
LOCK

USE CASE

Multiple Drawers

Cabinets

Lockers

GYM Lockers

Home/Office Furniture

and more...



TECHNICAL SPECIFICATION

- Door Thickness: 12 to 25mm
- Battery: 3v CR2032
- Material: Zinc Alloy
- Battery Life: 10 to 12 Months

FEATURES

- Unlocking: Pin, 4 to 15 digits password
- Touchpad Design Unlock with 90 degree knob rotation.
- Sleek Design applicable on Single & Multiple Drawers
- Low Battery Warning
- Auto-Alarm on Entering Wrong Password
- Battery Operated – No Wiring required
- Widely used for Multiple Drawers, Cabinets, Home, Offices Furniture, etc.

ACCESSORY

- Screw
- Cam Lock
- Metal Plate
- Ejector Pin
- Screws

WHAT IS IN THE BOX



LOCK



METAL PLATE

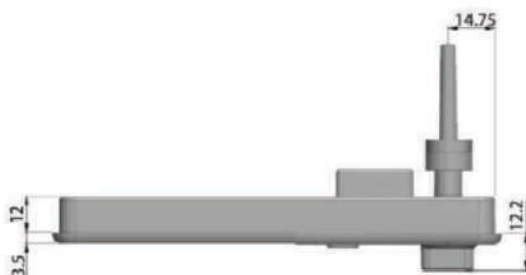


CAM LOCK, SCREW,
EJECTION PIN



PIN CAM
(Optional)

DIMENSIONS





PN-16

CABINET & DRAWER LOCK

USE CASE

Drawers

Cabinets

Wardrobes

Home/Office Furniture

and more...

PIN LOCK



TECHNICAL SPECIFICATION

- Password: 4 to 15 Digits
- Door Thickness: 12 -25 mm
- Battery: 3V CR2032
- Material: Zinc Alloy
- Battery Cycle: 2000 operation from buttons

ACCESSORY

- Screw
- Cam Lock
- Metal Plate

FEATURES

- Unlocking: Pin. 4 to 15 digits password
- Touchpad Design Unlocks with 90 degree Right Rotation
- Fake Pin Password Function and Auto-Alarm on entering Wrong Password
- Battery Operated Lock - No Wiring Required
- Low Battery Warning
- Suitable for drawers , cabinets, Wardrobes in Home/Office.

WHAT IS IN THE BOX



LOCK

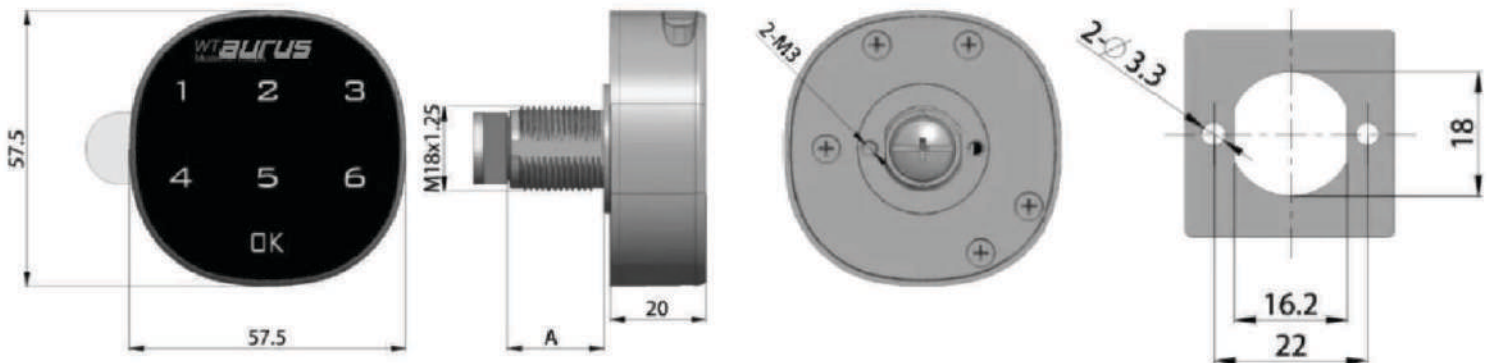


FLAT CAM



SCREW

DIMENSIONS





RF-202

CABINET & DRAWER LOCK

HIDDEN RFID LOCK

USE CASE

Drawers

Sliding Cabinets

Office

Homes

Schools



TECHNICAL SPECIFICATION

- Unlocking Mode: RFID Card
- Door Thickness: 12 to 25 mm
- Battery: 4 * AAA
- Material: Polycarbonate
- Battery Life: 8 to 10 months
- Card Reading Distance: Less than 1 cms
- Response Time: Under 2 seconds.

ACCESSORY

- Screws
- Metal Plate
- RFID Card - 2 Nos
- Striking Plate
- Card Placer

FEATURES

- Access Control: RFID
- Hidden Lock, maintains the furniture aesthetics
- RFID card works through plywood, MDF, Glass..
- Automatic motorized mechanism
- Widely used in cabinets, drawers, wardrobes, lockers etc.
- Ideal for sliding cabinet doors.
- Can be used with DC power instead of battery
- In case of low power the lock will open but will not get locked again until batteries are changed.

WHAT IS IN THE BOX



LOCK



RFID CARD



METAL PLATE

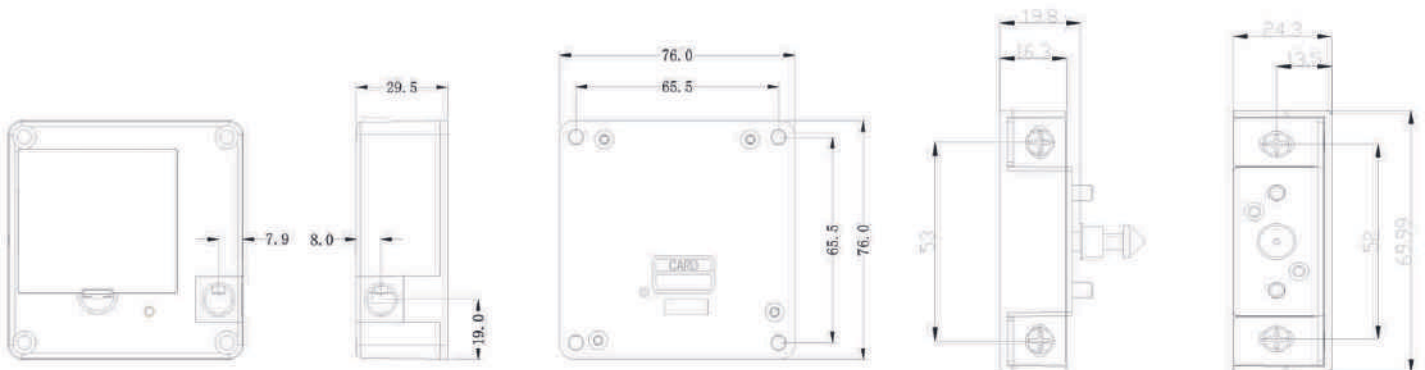


STRIKING PLATE



SCREWS

DIMENSIONS



PIN + RFID LOCK



PN-19RF

CABINET & DRAWER LOCK

USE CASE

Drawers

Cabinet Doors

Wardrobe Doors

GYM Lockers

Home/Office Furniture

School Lockers



TECHNICAL SPECIFICATION

- Unlocking: Pin and RFID Card
- Door Thickness: 12 to 25 mm
- Battery: 4*AAAA
- Material: Plastic + Metal
- Battery Life: 10 to 12 Months
- Password: 4 to 15 Digits
- RFID Card: 3 Management & 28 Users

FEATURES

- Access Control: Pin + RFID
- Touchpad Design with Automatic Locking
- Low Battery Warning and a Micro-USB Port for Emergency Power Supply if Battery Fails.
- Auto-Alarm on Entering Wrong Password
- Add up to 3 Management Card and 28 User Card
- 4-15 Digits Password
- No Hassle of Managing Keys
- Can be used in Public or Private Mode.
- Widely use for Drawers/Cabinets/Wardrobe Doors
- Suitable for Home/Office/GYMs/Pharma Companies

ACCESSORY

- RFID Card -2 no's
- Screws
- USB - B Cable
- Striking Plate
- User Manual

WHAT IS IN THE BOX



STRIKING PLATE
& USB CABLE



LOCK BODY



LOCK

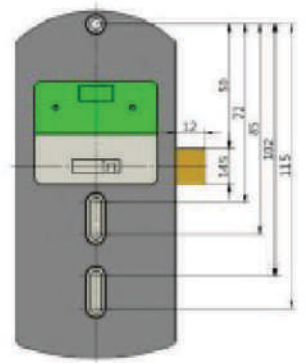
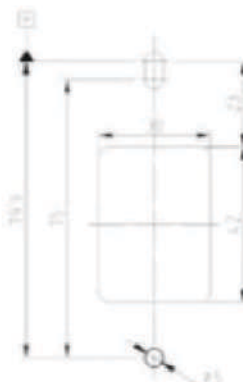


RFID CARD



SCREWS

DIMENSIONS





BL-E51

CABINET & DRAWER LOCK

USE CASE

Drawers

Cabinets

Lockers

Bar

Home/Office Furniture

and more...

HIDDEN BLUETOOTH LOCK



TECHNICAL SPECIFICATION

- Unlocking: Bluetooth Connection App Control
- Support: iOS, Android 4.3 System and above.
- Door Thickness: 12-25 mm
- Battery: CR2 Lithium Manganese Battery
- Material: Metal + Polycarbonate
- Battery Life: 8-10 Months
- Response Time: Under 2 seconds

FEATURES

- Access Control: Bluetooth
- Grant access and remotely unlock with smartphone.
- Can be opened from iOS, Android 4.3 system or above.
- Maintains log of 1000 unlocking transactions.
- Battery life approx. one year.
- Stainless steel latch.
- Widely use for Drawers and Cabinets
- Suitable for Home/Offices/GYMs

ACCESSORY

- Striking Plate
- Screws

WHAT IS IN THE BOX



LOCK

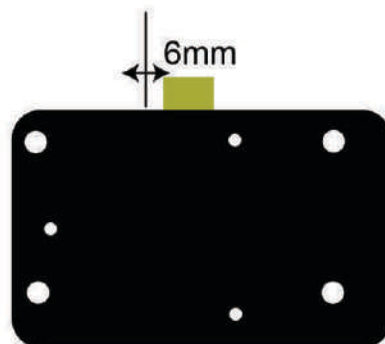
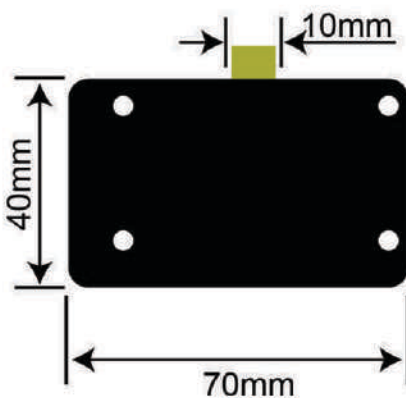


STRIKING PLATE



SCREWS

DIMENSIONS



Access Control for Main Doors



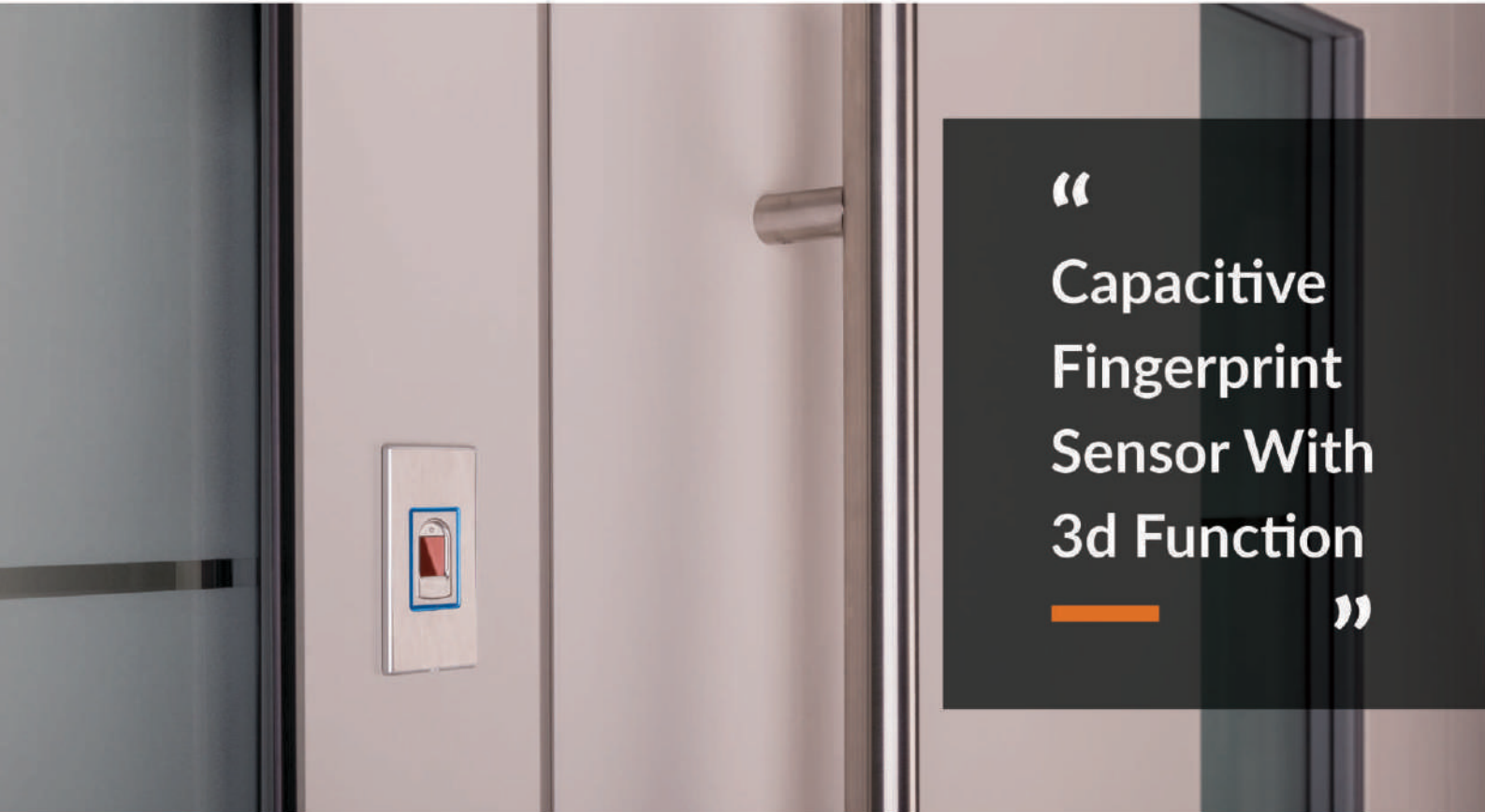
Touchkey
R7-SS



FP 100



Touchkey
R7-TL



“
Capacitive
Fingerprint
Sensor With
3d Function
—
”

The TOUCHKEY product line combines two technologies - STAND ALONE and WI-FI in one device. The user can choose between operating the fingerprint reader with the keys on the control unit and operating via a smartphone application. The user can also change the control mode as desired.

We install a flat capacitive sensor in our products for easy entry of fingerprints by placing your finger on the sensor. The sensor uses an ID3 algorithm for biometric data processing, which is certified in the USA by the NIST National Institute and is MINEX 3 certified.

Due to the high quality our readers enable safe and easy use.



Touchkey R7-BL



Touchkey R7-SS



Touchkey R7-TL



CONTROLLER CU 303

DIN control unit with Wi-Fi communication

APP CONTROL

Remote controlled option

or
ANALOG CONTROL

EN CONNECTION DIAGRAM

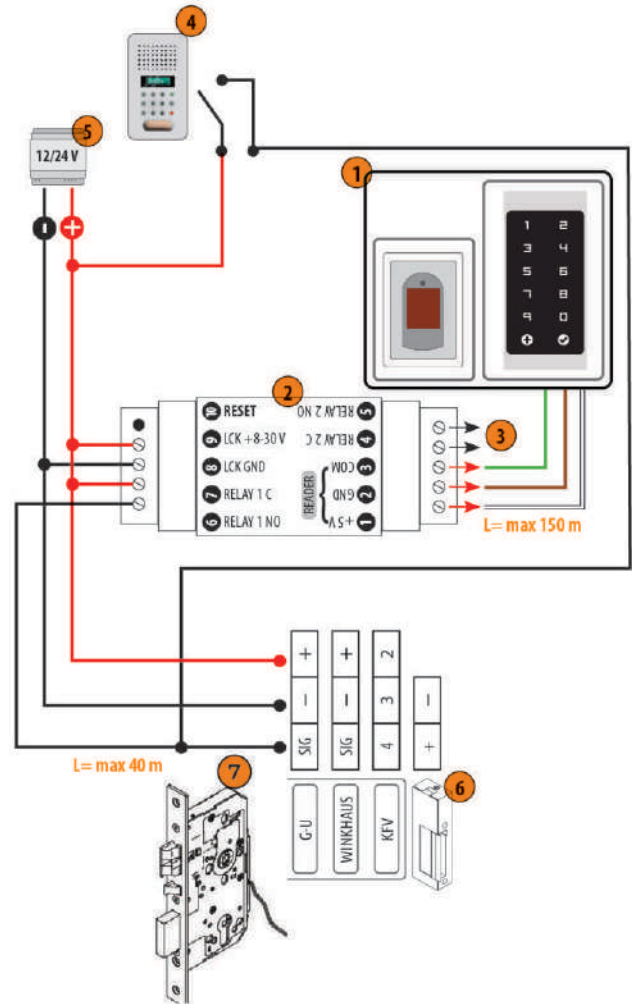
- 1 READER/KEYPAD
- 2 CONTROL UNIT
- 3 RELAY 2
- 4 INTERCOM
- 5 POWER SUPPLY 12/24 V
- 6 ELECTRIC STRIKE
- 7 MOTOR LOCK



APP CONTROL

- FINGERPRINT CAPACITY: 166X3
- NUMBER OF ADMINISTRATORS: Unlimited
- BLUE BACKLIGHT ON/OFF
- SCANNER SECURITY LOCKDOWN
- LED CONTROL
- HISTORY OF EVENTS
- RELAY SETUP
- ENTRANCE SCHEDULES FOR USERS
- FREE PASS MODE
- DEVICE BACKUP & TRANSFER
- UNLOCKING THE DOOR VIA SMARTPHONE APP (within local reach)

CU 303 CONTROLLER





FP-100

STANDALONE FINGERPRINT READER

FP 100 is a simple one-door standalone biometric system. The reader can store up to 97 finger templates, it has one relay output and one exit button input. If secure installation is needed, the reader can be connected to remote relay unit at secured area, which also plays the role of exit push button. Complete setup and programming can be done by scrolling and tapping on the sensor.



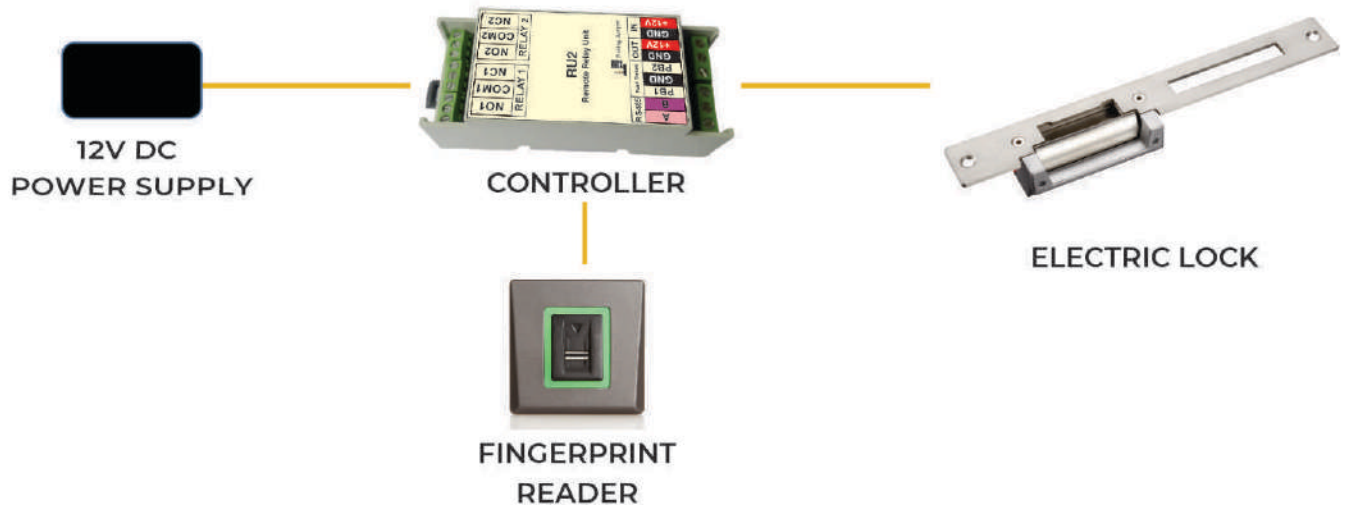
FEATURES



FP 100KP

- Highly secure since controller (RU2) is securely located indoors
- Compact 2 mod size
- Flush mounted
- Can open 1 door and trigger 1 light scene or
- Can open 2 doors independently or simultaneously
- Easy to add and delete fingerprints
- Proven European product quality
- Tri-colour LEDs for status

CONNECTION DIAGRAM



SPECIFICATIONS

Finger print Capacity :	97 templates
Output :	1xRelay (2A 24V DC)
Push Button input :	Yes
Backlight ON/OFF :	Yes
Power supply :	12VDC
Indication :	Tricolour LED status
Mounting :	Flush
Dimensions :	80 x 80 x 9 (mm)

Electric Locks & Accessories

DOOR STRIKE

EM LOCK

DROP BOLT

ELECTRIC MORTISE

MULTIPOINT LOCK

DOOR LOOPS



Electric Strike
ESL 12FS

Lock Size: 250L x 44W x 35H (mm)
Power: 12V DC, 500 mA
Holding Force: 1100 lbs
Fail Safe, Fail Secure Selectable



Electric Lock
EL10

Lock Size: 82L x 30W x 28H (mm)
Power: 12V DC, 250 mA
Holding Force: 350 lbs
Fail Safe, Fail Secure selectable



Electric Mortise Lock
EML 650B

Lock Size: 270L x 25W x 52H (mm)
Power: 12V DC, 500 mA
Holding Force: 1000 lbs
Fail Safe, Fail Secure selectable



Multipoint Lock for
MAIN DOOR

CABLE MANAGEMENT

These devices are used to manage and protect the cable from door frame to door used when you install Electric Mortise or Multipoint Locks



Door Loop
EDL-401



Concealed Long Door Loop
CDL-402S



Cable Tappet
TP 403



*The contents of this catalogue are for information only.
Acetech does not guarantee the correctness of data and is not liable for any printing errors.
The images are representational and may vary from the actual product.*

ACETECH TECHNOLOGIES PVT LTD.

📍 325, Pioneer Industrial Estate, Subhash Road, Jogeshwari (E), Mumbai-400060. India

✉ sales@acetech-india.com 🌐 www.auruslocks.com

☎ 022 -4601 6262 | 📞 +91 97690 11552