



F053S

For drawer and cabinet of
wooden or steel

Material: Aluminum
Finish: CNC, Color : Black



Fingerprint



High
sensitivity



Wide range
of use



Low power
design



Customized
Tuya

FITTINGS



LOCK CASE:BF20
Material:ABS
Size:86X60X22mm
Power Supply:3XAAA (alkaline battery)



STPIKING PLATE
Material:ABS
Size:73X24.5X12.1MM



USBKEY
Material:ABS
Size:25.6X10.5X6.1MM

CUSTOMIZED BACK LOCK

Read Page 55-57 for details



BF16
(Built-in lithium battery)



BF17
(3XAAA alkaline battery)



BF05
(3XAA alkaline battery)



BF12
(3XAAA alkaline battery)



BF19
(3XAAA alkaline battery)



BF18
(4XAA alkaline battery)

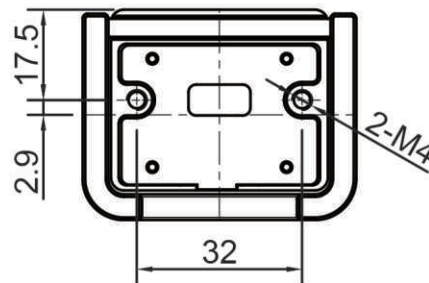
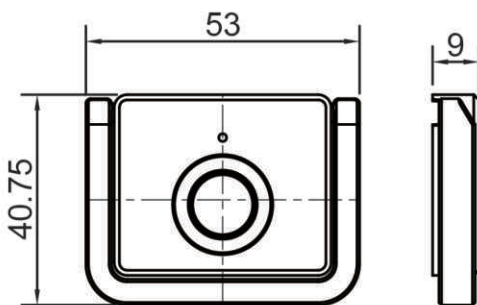
TECHNICAL PARAMETER

Sensor	Semiconductor fingerprint sensor
	10 fingerprints
	Responsiveness:<0.005s
	FAR:<1/1000000
	FRR:<1%
Static Current	≤30μA
Dynamic Current	≤220mA
Power Supply	4.5V (3XAAA alkaline battery)
Low battery	3.6V ± 0.2V
Working Temperature	0℃ ~ 55℃
Working Humidity	20%~80%RH

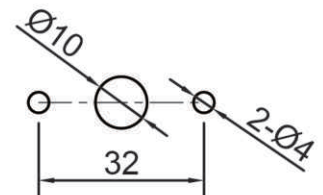
FEATURES

- Database:10 fingerprints
- Unlocking: fingerprint, Ukey for backup
- Working mode:Private Mode
- Ukey for management in the business application
- Visual signal with LED indicator
- Energy-saving technology, lifetime of new battery up to 6000 times opening
- Low battery warning, outer power supply by USB port when low battery
- Widely used in drawer,cabinet and locker at home, in the office or in the school etc.

PRODUCT SIZE



Installation drawing



ACETECH TECHNOLOGIES PVT LTD.

📍 325, Pioneer Industrial Estate, Subhash Road, Jogeshwari (E), Mumbai-400060. India

✉ sales@acotech-india.com 🌐 www.auruslocks.com

☎ 022 2820 3820 | 022 2822 7039 📞 +91 97690 11540